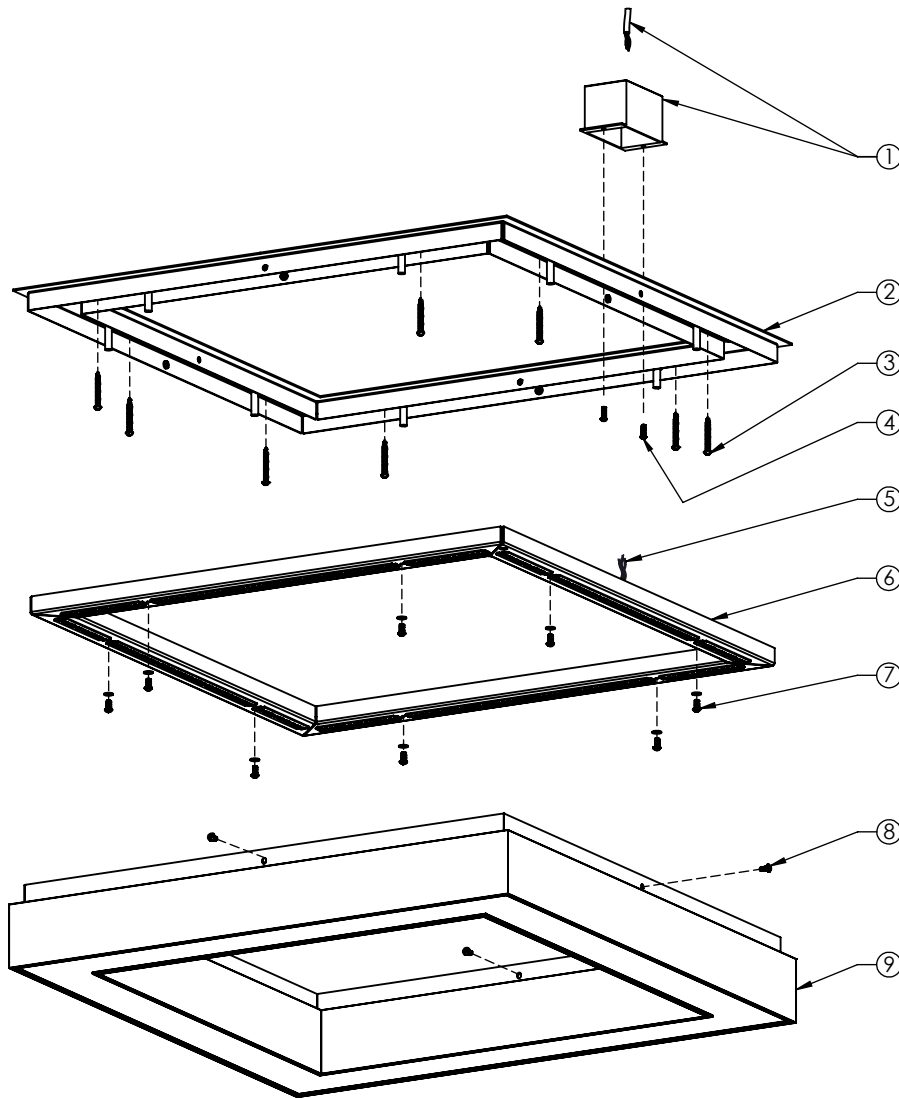
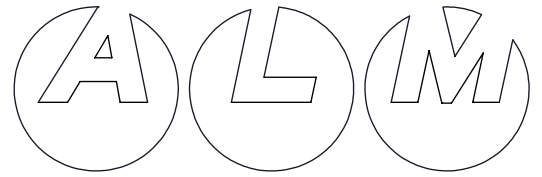


Frame 70

SURFACE

INSTALLATION INSTRUCTIONS



1	2" x 3" junction box and power feed (by others)
2	Mounting panel assembly
3	Mounting hardware (provided)
4	Mounting screws to junction box 6-32 x 3/4" long, round head (by others)
5	Fixture power wires
6	Light body assembly
7	Light body assembly mounting screws
8	Fixture housing mounting screws
9	Fixture housing

INSTRUCTIONS:

1. Unscrew fixture housing mounting screws and remove fixture housing.
2. Unscrew light body assembly mounting screws and remove light body assembly from mounting panel assembly.
3. Bring the electrical power feed through the hole in mounting panel assembly, secure mounting panel assembly to the junction box (screws by others) and to the ceiling / wall using mounting hardware provided. If junction box is not available, secure mounting panel assembly to the ceiling / wall using additional mounting hardware provided.
4. Splice the fixture power wires and power feed as required and secure light body assembly back into place.
Wires for connection are clearly labeled.
5. Mount and secure fixture housing back into place.
6. Energize.

GENERAL NOTE:

- * Turn power off before beginning.
- * Do not connect to an ungrounded supply.
- * Consult a qualified electrician to ensure correct branch circuit conductor.
- * This product must be installed in accordance with the applicable installation code by a person familiar with the construction and operation of the product and the hazards involved.
- * Save these instructions.